


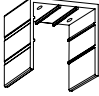
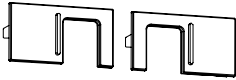

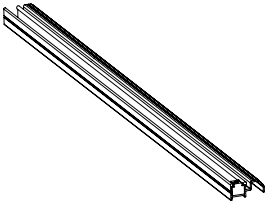
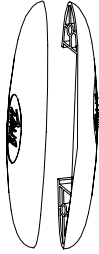
Breeze Installation Instructions

The Installation procedures shown below are for single door applications. For double door applications the same procedures are used to install two single units, one on each side of the doorway.

CHECKLIST

Remove your Breeze retractable screen and parts from the box, and check to ensure that all the necessary parts are present.

Each Breeze package should contain:

| | | |
|--|--|--|
| 1 – Screen Unit  | 1- Housing Bracket  | 2 - Housing Bracket Covers (One right-hand and one left).  |
| | 1 –Top Track & Mounting Channel Assembly  | |
| | 1- Bottom Track  | |
| | 1 – Two-Part Handle Set  | |

Breeze Installation Instructions

1- Fastener Package, containing:

1 – 5/32" Allen Wrench

2 – Screws for mounting the handle set.

5 – Tapered head screws for mounting the bottom track.

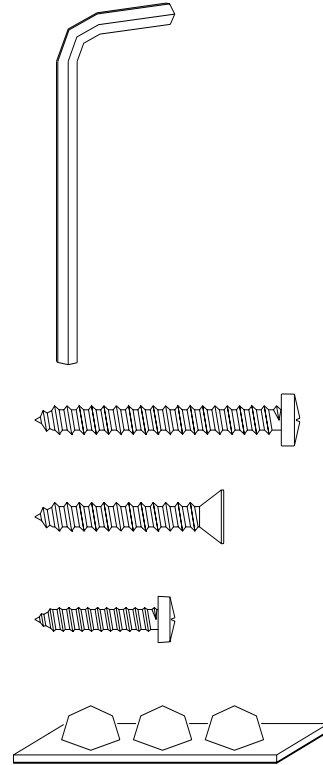
10 – Screws for mounting:

- Screen Housing
- Top Track

1 – 3 clear rubber bumpers to isolate the screen housing from the pull bar.

Note:

More screws than needed are supplied.



Tool List

- Philips Head Screwdriver
- Measuring Tape & Pencil
- Hacksaw (With new fine tooth blade)
- Power Drill
- 3/16" Drill Bit

Breeze Installation Instructions

Step #1

(Install Screen Housing)

- a) Install Housing Bracket.
- b) Remove Housing Cover.
- c) Attach Housing.
- d) Reattach Housing Cover.
- e) Attach Bracket Cover.

Step #2

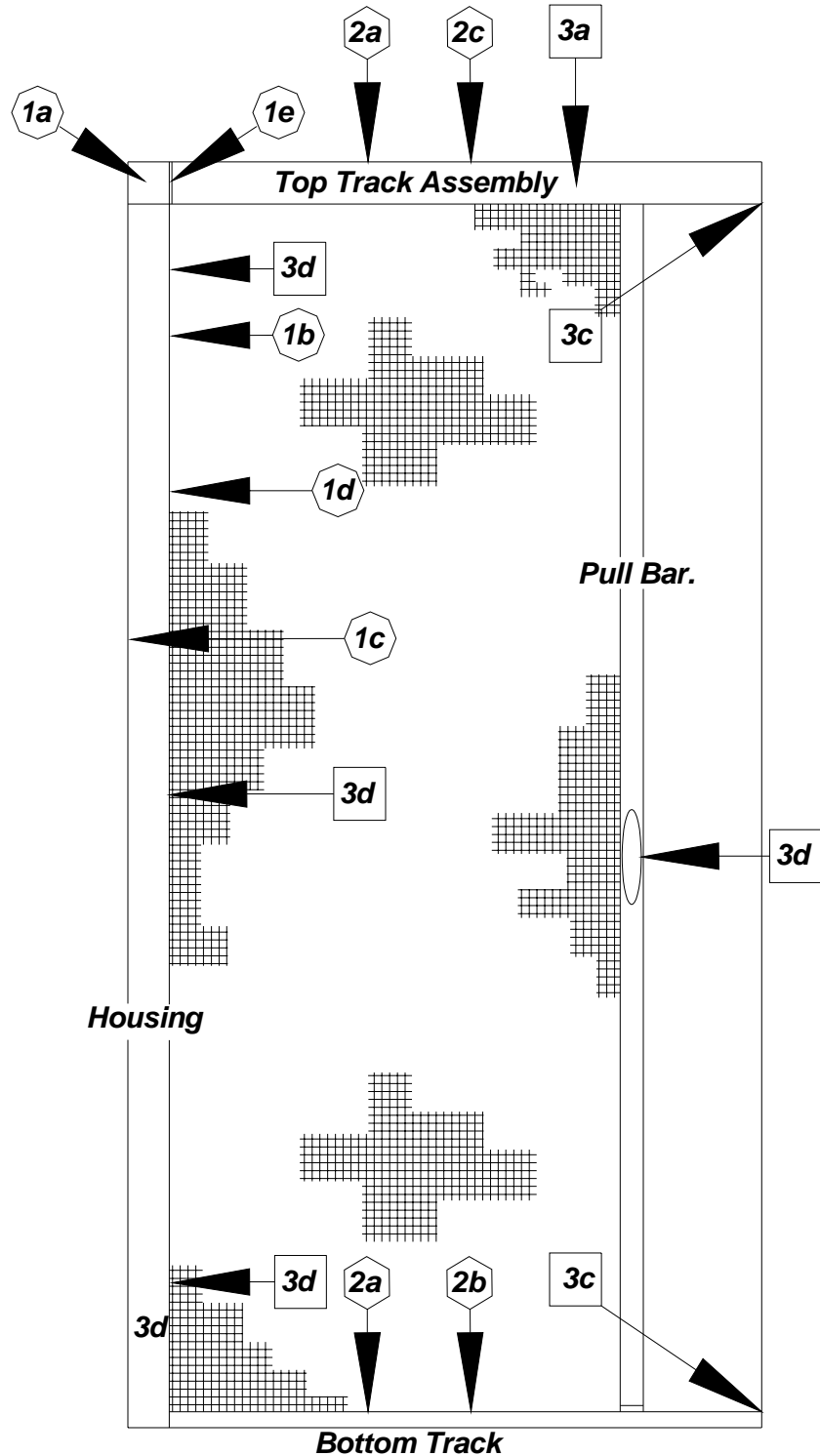
(Install Tracks)

- a) Measure & Cut Tracks.
- b) Install Bottom Track.
- c) Install Top Track.

Step #3

(Final Adjustments)

- a) Adjust Top Track.
- b) Attach Handle.
- c) Adjust Magnet Strike.
- d) Attach Bumpers.

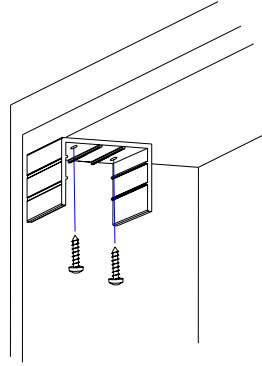


Breeze Installation Instructions

Step 1 Install Screen Housing.

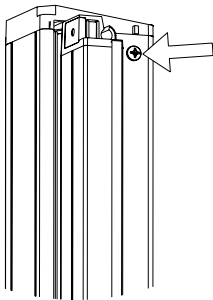
1a) Install Housing Bracket

Locate and install the housing bracket to the top corner of the doorframe, using the screws provided.



Note:

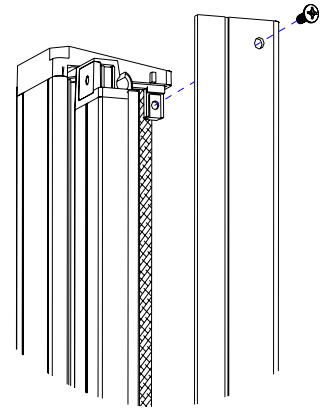
Where this bracket is mounted determines the location of the screen. Typically this will be the same side as the hinges on the existing door. By doing it this way the maximum usable door width is maintained.



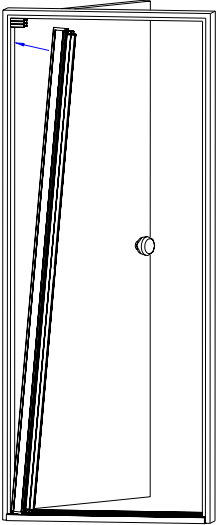

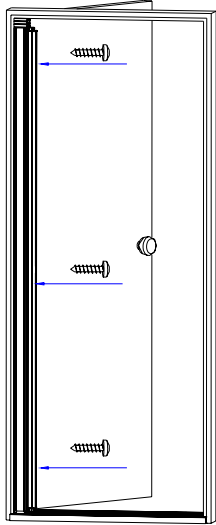
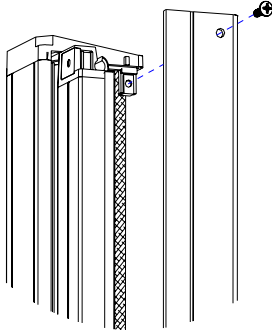
1b) Remove Housing Cover

Remove the two screws holding the housing cover to the screen unit and remove the cover.

Be careful not to misplace these screws, as you will need to reinstall the cover in step 1d.



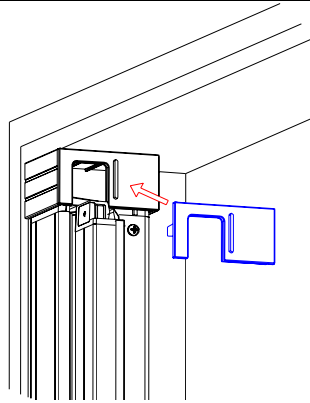
Breeze Installation Instructions

| | | |
|---|---|---|
|  | <p>1c) Attach Housing Place the screen unit vertically against the doorframe, so that its top end is resting in the previously installed housing bracket. Plumb the unit and attach it to the doorframe using three of the screws provided.</p> <p>Note: The screen unit must be installed away from the door as shown.</p>  |  |
| <p>1d) Reattach Housing Cover</p> <p>Reattach the housing cover using the original screws.</p> |  | |

Breeze Installation Instructions

1e) Attach Bracket Cover

Install the appropriate plastic cover to the housing bracket.



Note:

Two bracket covers are provided with each screen unit, one for right-hand mounted units and one for left-hand mounted units. Discard the one not required.

Breeze Installation Instructions

Step 2 Install Tracks.

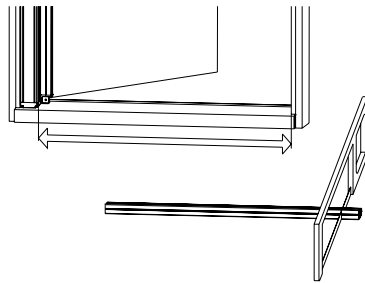
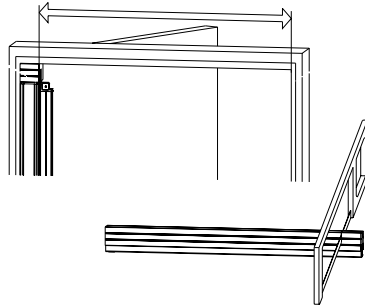
2a) Measuring and Cutting Tracks

To determine the bottom track length, measure from the bottom inside surface of the housing to the inside surface of the doorframe. To determine the top track assembly length measure from the housing bracket cover to the inside surface of the doorframe. Mark and cut the tracks.

Note:

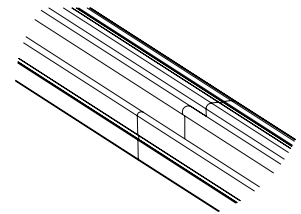
When measuring the top track assembly you will notice that the length is approximately 1/4" shorter than the bottom track.

This is a result of the housing bracket and cover, which take up the additional space.



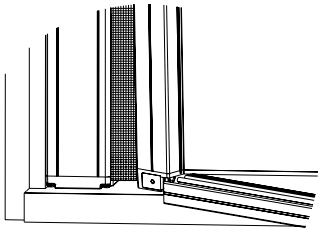
Double Doors

Use the short lengths of top and bottom track provided with each Breeze screen to make up the total length of track required. Cut them into equal lengths and join them in the center.



Tip: To ensure the best possible cut, mark both sides of the tracks using a straight edge. Using a hacksaw with a fine tooth blade cut slowly and carefully using your marks to keep the cut straight and true. Rushing at this point may result in a cut you are disappointed in later.

Breeze Installation Instructions

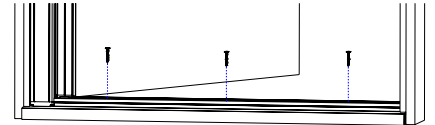


Note:

Ensure that the rounded runner on the track fits into the rounded capture of the guide.

2b) Install Bottom Track

Slide the bottom track through the bottom pull bar guide, being careful not to tear or snag the mesh in the process. Position the track against the locating tab on the housing then, using the edge of the doorsill as a guide, position the track so that the screen will travel straight across the door opening. Using the tapered head screws provided, attach the bottom track to the doorsill.



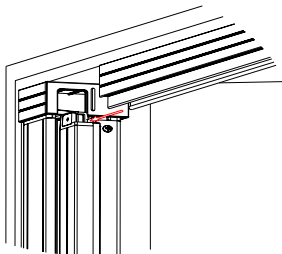
Note:

A pilot hole will be required if mounting to a metal sill.

Step 3 Final Adjustments

Note:

Ensure that the rounded runner on the track fits into the rounded capture of the guide.

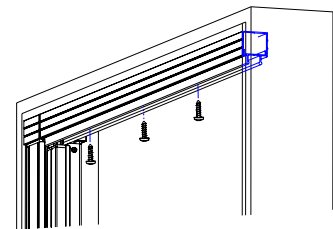


2c) Install Top Track

Using a hand screwdriver, loosen the adjustment screws holding the top track to its mounting bracket, but do not remove them. Slide the top track assembly through the top pull bar guide. Again be careful not to tear or snag the mesh. Position the track and bracket up against the locating tab on the plastic cover and secure the track assembly to the top of the doorframe using the screws provided. (Large holes are provided to allow access through the track so the mounting channel can be installed.)

Note:

Be careful not to over tighten these screws.



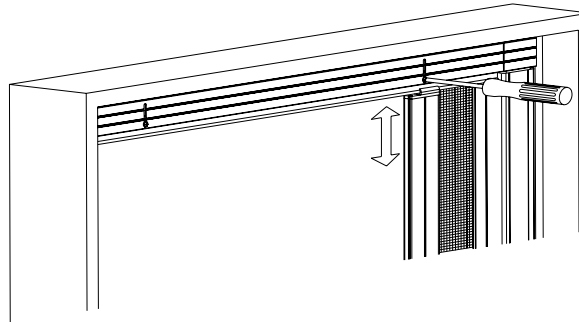
Breeze Installation Instructions

3a) Adjust Top Track

Loosen and move the magnet strike to the far end of the tracks. Draw the pull bar across the doorway and as you do, the track assembly will adjust itself to the correct height. As the pull bar is drawn under each adjustment screw, retighten the screw. Once all screws have been tightened, the screen should open and close smoothly. If needed, readjust the track.

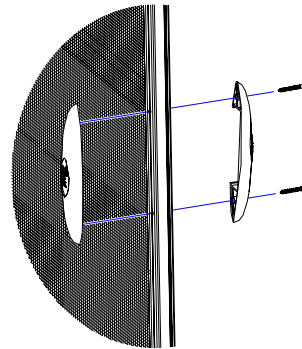
Note:

Be careful not to over tighten these screws.



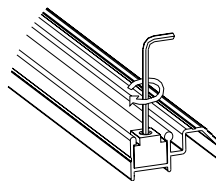
3b) Attach Handle

Locate and mark the holes for mounting the handles, ensuring that their location will not interfere with the doorknob of your existing door. Drill two 3/16" mounting holes using the handle provided as a template to mark the hole locations. A centerline provided in the pull bar indicates the correct distance the holes should be from the edge.



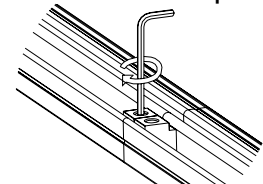
3c) Adjust Magnet Strikes

Once in position, retighten the screws. It may take several attempts to position the strikes so that the door latches securely.



Double Doors

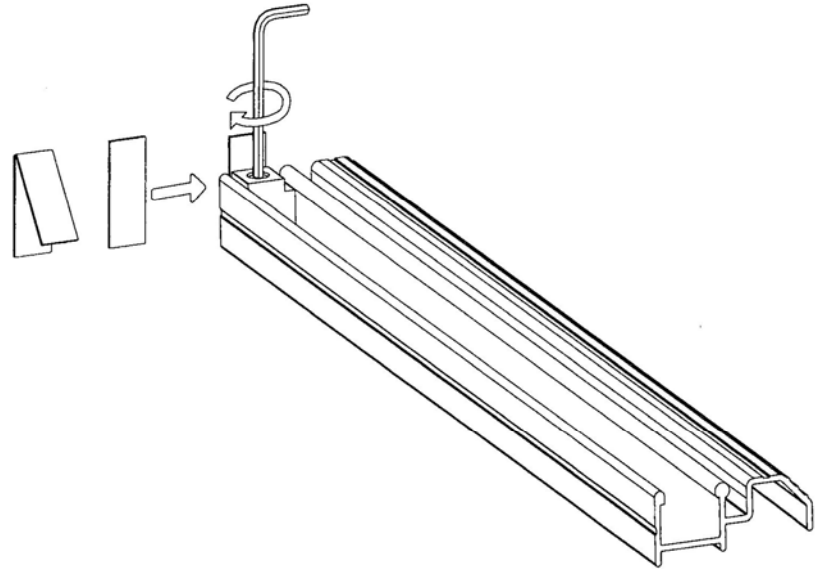
Magnet strikes should be positioned back to back in the center of the door opening.



Breeze Installation Instructions

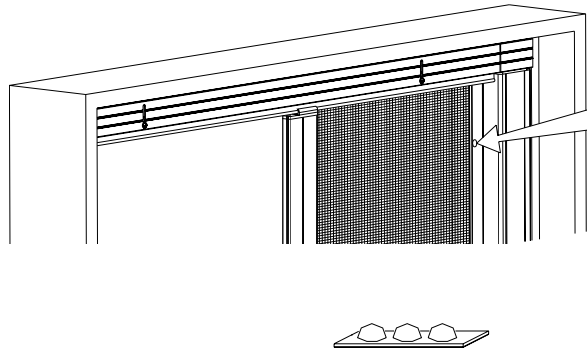
Fine Adjust of Magnet Strikes

Loosen the magnet strikes using the wrench provided and slide them to far end of the track and retighten screw. It may take several attempts to position the strikes so that the door latches securely. If one magnet seems to be releasing before the other, loosen the block and slide a thin paper shim (perhaps part of a business card) behind the magnet strike, slide the strike against the paper and re-tighten. Check to see if the screen releases evenly. If it does not, fold the paper in half and repeat the process until the screen releases evenly from top to bottom.



3d) Attach bumpers

Attach the three rubber bumpers provided between to the screen housing, one in the center and the remaining two approximately 6" from either end. These bumpers will isolate the housing and the pull bar should the door be allowed to slam.



Maintenance

- At least once a year, we recommend that you clean and clear the tracks of your screen. After the tracks have been cleared and cleaned, liberally lubricate both top and bottom tracks and plastic guides with a silicone spray lubricant.
- Check and retighten housing mounting screws and top and bottom track screws.